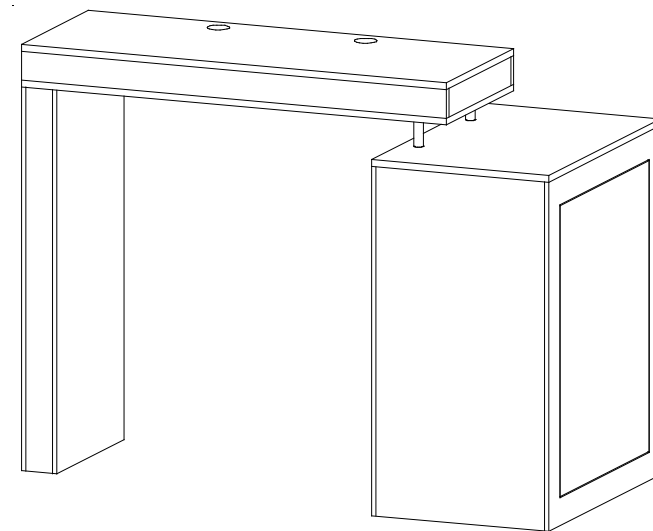


- Steps:
- 1) Attach Leg to Counter Top. See [Counter Top w/ Threaded Stud Attachment](#) detail.
 - 2) Connect Counter Top to Pedestal. See [Counter Top w/ Standoff Barrel Attachment](#) detail.



ECO-36C

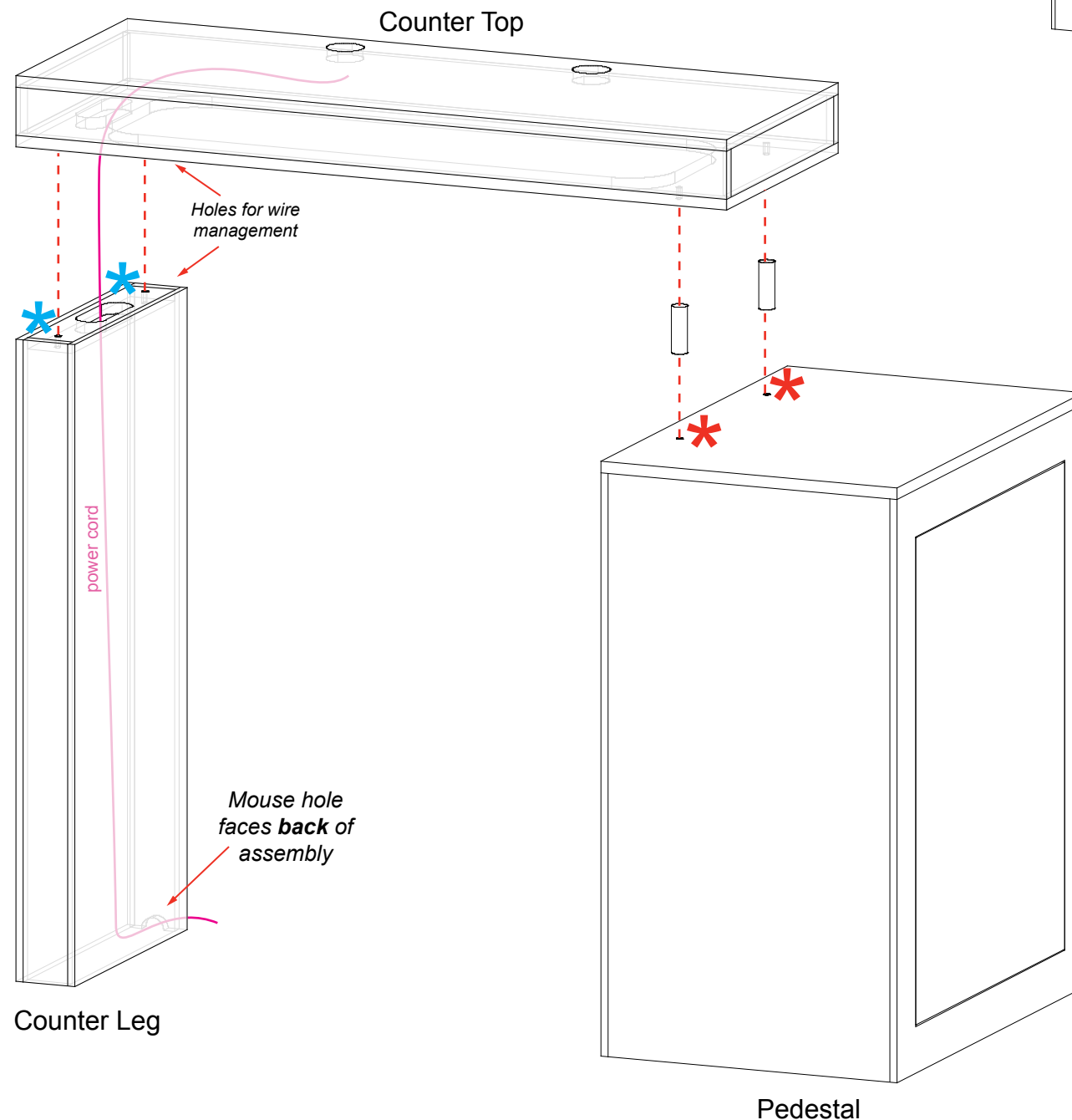
When assembled

*** Counter Top w/ Threaded Stud Attachment**

Insert threaded stud into nut sert on top of Counter Leg. Twist to secure in place.

Place holes on bottom of Counter Top over threaded stud & secure using wing nuts.

Use access hole under Counter Top when attaching wing nuts.



*** Counter Top w/ Standoff Attachment**

Attach standoff barrels to nutserts in top of Pedestal.

Then connect Counter Top to standoff barrels using wing nuts.

Use access hole under Counter Top when attaching wing nuts.